



**Please note that Cypress is an Infineon Technologies Company.**

The document following this cover page is marked as “Cypress” document as this is the company that originally developed the product. Please note that Infineon will continue to offer the product to new and existing customers as part of the Infineon product portfolio.

**Continuity of document content**

The fact that Infineon offers the following product as part of the Infineon product portfolio does not lead to any changes to this document. Future revisions will occur when appropriate, and any changes will be set out on the document history page.

**Continuity of ordering part numbers**

Infineon continues to support existing part numbers. Please continue to use the ordering part numbers listed in the datasheet for ordering.

# Three-PLL General-Purpose EPROM-Programmable Clock Generator

## Features

- Three integrated phase locked loops (PLLs)
- Erasable programmable read only memory (EPROM) programmability
- Factory programmable (CY2292) or field programmable (CY2292F) device options
- Low-skew, low-jitter, high accuracy outputs
- Power management options (shutdown, OE, suspend)
- Frequency select option
- Smooth slewing on CPUCLK
- Configurable 3.3 V or 5 V operation
- 16-pin small-outline integrated circuit (SOIC) package (CY2292F also in TSSOP)

## Benefits

- Generates up to three custom frequencies from one external source
- Easy customization and fast turnaround
- Programming support available for all opportunities
- Supports low power applications
- Eight user selectable frequencies on CPUPLL
- Allows downstream PLLs to stay locked on CPUCLK output
- Industry standard packaging saves on board space

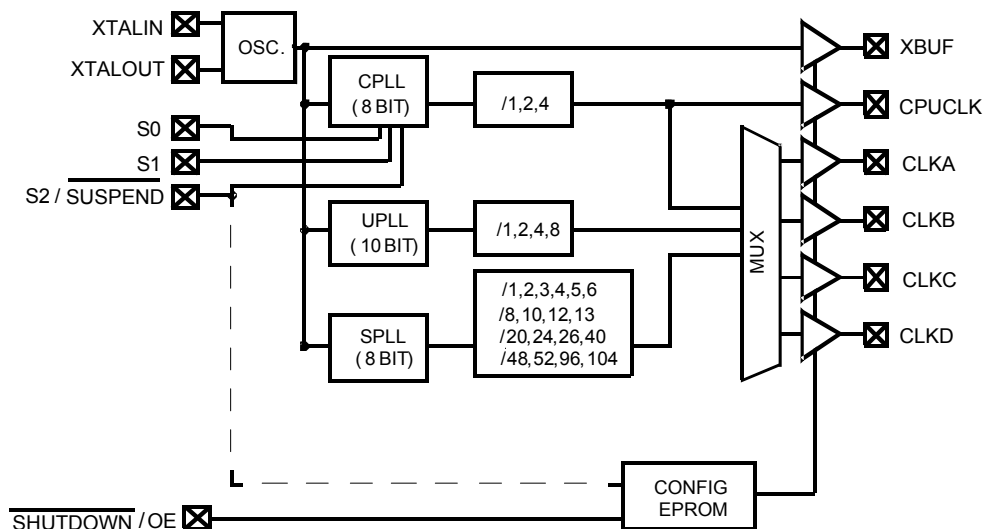
## Functional Description

For a complete list of related documentation, click [here](#).

## Selector Guide

Part Number	Input Frequency Range	Output Frequency Range	Specifics
CY2292SC, SL, SXC, SXL	10 MHz to 25 MHz (external crystal) 1 MHz to 30 MHz (reference clock)	76.923 kHz to 100 MHz (5 V) 76.923 kHz to 80 MHz (3.3 V)	Factory programmable Commercial temperature
CY2292SI, SXI	10 MHz to 25 MHz (external crystal) 1 MHz to 30 MHz (reference clock)	76.923 kHz to 90 MHz (5 V) 76.923 kHz to 66.6 MHz (3.3 V)	Factory programmable Industrial temperature
CY2292F, FXC, FZX	10 MHz to 25 MHz (external crystal) 1 MHz to 30 MHz (reference clock)	76.923 kHz to 90 MHz (5 V) 76.923 kHz to 66.6 MHz (3.3 V)	Field programmable Commercial temperature
CY2292FXI, FZXI	10 MHz to 25 MHz (external crystal) 1 MHz to 30 MHz (reference clock)	76.923 kHz to 80 MHz (5 V) 76.923 kHz to 60.0 MHz (3.3 V)	Field programmable Industrial temperature

## Logic Block Diagram

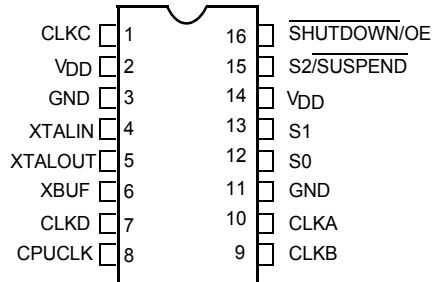


## Contents

<b>Pinouts</b> .....	<b>3</b>	<b>Switching Characteristics</b> .....	<b>12</b>
<b>Pin Definitions</b> .....	<b>3</b>	<b>Switching Waveforms</b> .....	<b>13</b>
<b>Operation</b> .....	<b>4</b>	<b>Ordering Information</b> .....	<b>14</b>
Output Configuration .....	4	Possible Configurations .....	14
Power Saving Features .....	4	Ordering Code Definitions .....	14
<b>CyClocks Software</b> .....	<b>4</b>	<b>Package Characteristics</b> .....	<b>15</b>
<b>Cypress FTG Programmer</b> .....	<b>4</b>	<b>Package Diagrams</b> .....	<b>15</b>
<b>Custom Configuration Request Procedure</b> .....	<b>4</b>	<b>Acronyms</b> .....	<b>16</b>
<b>Maximum Ratings</b> .....	<b>5</b>	<b>Document Conventions</b> .....	<b>16</b>
<b>Operating Conditions</b> .....	<b>5</b>	Units of Measure .....	16
<b>Electrical Characteristics</b> .....	<b>6</b>	<b>Document History Page</b> .....	<b>17</b>
<b>Electrical Characteristics</b> .....	<b>6</b>	<b>Sales, Solutions, and Legal Information</b> .....	<b>19</b>
<b>Electrical Characteristics</b> .....	<b>7</b>	Worldwide Sales and Design Support .....	19
<b>Electrical Characteristics</b> .....	<b>7</b>	Products .....	19
<b>Test Circuit</b> .....	<b>8</b>	PSoC® Solutions .....	19
<b>Switching Characteristics</b> .....	<b>9</b>	Cypress Developer Community .....	19
<b>Switching Characteristics</b> .....	<b>10</b>	Technical Support .....	19
<b>Switching Characteristics</b> .....	<b>11</b>		

## Pinouts

Figure 1. 16-pin SOIC / TSSOP pinout



## Pin Definitions

Name	Pin Number	Description
CLKC	1	Configurable clock output C.
V <sub>DD</sub>	2, 14	Voltage supply.
GND	3, 11	Ground.
XTALIN <sup>[1]</sup>	4	Reference crystal input or external reference clock input.
XTALOUT <sup>[1, 2]</sup>	5	Reference crystal feedback.
XBUF	6	Buffered reference clock output.
CLKD	7	Configurable clock output D.
CPUCLK	8	CPU frequency clock output.
CLKB	9	Configurable clock output B.
CLKA	10	Configurable clock output A.
S0	12	CPU clock select input, bit 0.
S1	13	CPU clock select input, bit 1.
S2/SUSPEND	15	CPU clock select input, bit 2. Optionally enables suspend feature when LOW.
SHUTDOWN/OE	16	Places outputs in tristate <sup>[3]</sup> condition and shuts down chip when LOW. Optionally, only places outputs in tristate <sup>[3]</sup> condition and does not shut down chip when LOW.

### Notes

1. For best accuracy, use a parallel-resonant crystal, C<sub>LOAD</sub> ≈ 17 pF or 18 pF.
2. Float XTALOUT pin if XTALIN is driven by reference clock (as opposed to crystal).
3. The CY2292 has weak pull downs on all outputs. Hence, when a tristate condition is forced on the outputs, the output pins are pulled low.

## Operation

The CY2292 is a third-generation family of clock generators. The CY2292 is upwardly compatible with the industry standard ICD2023 and ICD2028 and continues their tradition by providing a high level of customizable features to meet the diverse clock generation needs of modern motherboards and other synchronous systems.

All parts provide a highly configurable set of clocks for PC motherboard applications. Each of the four configurable clock outputs (CLKA–CLKD) can be assigned 1 of 30 frequencies in any combination. Multiple outputs configured for the same or related frequencies have low (less than 500 ps) skew, in effect providing on-chip buffering for heavily loaded signals.

The CY2292 can be configured for either 5 V or 3.3 V operation. The internal ROM tables use EPROM technology, allowing full customization of output frequencies. The reference oscillator is designed for 10 MHz to 25 MHz crystals, providing additional flexibility. No external components are required with this crystal. Alternatively, an external reference clock of frequency between 1 MHz and 30 MHz can be used.

## Output Configuration

The CY2292 has four independent frequency sources on-chip. These are the reference oscillator and three PLLs. Each PLL has a specific function. The system PLL (SPLL) provides fixed output frequencies on the configurable outputs. The SPLL offers the most output frequency divider options. The CPU PLL (CPLL) is controlled by the select inputs (S0–S2) to provide eight user-selectable frequencies with smooth slewing between frequencies. The utility PLL (UPLL) provides the most accurate clock. It is often used for miscellaneous frequencies not provided by the other frequency sources.

All configurations are EPROM programmable, providing short sample and production lead times.

## Power Saving Features

The SHUTDOWN/OE input tristates the outputs when pulled LOW. If system shutdown is enabled, a LOW on this pin also shuts off the PLLs, counters, the reference oscillator, and all other active components. The resulting current on the  $V_{DD}$  pins is less than 50  $\mu\text{A}$  (for commercial temperature or 100  $\mu\text{A}$  for industrial temperature). After leaving shutdown mode, the PLLs have to relock. All outputs have a weak pull down so that the outputs do not float when tristated.<sup>[4]</sup>

The S2/SUSPEND input can be configured to shut down a customizable set of outputs and/or PLLs, when LOW. All PLLs and any of the outputs can be shut off in nearly any combination. The only limitation is that if a PLL is shut off, all outputs derived from it must also be shut off. Suspending a PLL shuts off all associated logic, while suspending an output simply forces a tristate condition.

### Note

4. The CY2292 has weak pull downs on all outputs. Hence, when a tristate condition is forced on the outputs, the output pins are pulled low.

The CPUCLK can slew (transition) smoothly between 20 MHz and the maximum output frequency (100 MHz at 5 V / 80 MHz at 3.3 V for commercial temperature parts or 90 MHz at 5 V / 66.6 MHz at 3.3 V for industrial temperature and for field-programmed parts). This feature is extremely useful in green applications, where reducing the frequency of operation can result in considerable power savings.

## CyClocks Software

CyClocks™ is an easy-to-use application that allows you to configure any one of the EPROM-programmable clocks offered by Cypress. Specify the input frequency, PLL and output frequencies, and different functional options. Note the output frequency ranges in this datasheet when specifying them in CyClocks to ensure that you stay within the limits. CyClocks also has a power calculation feature that allows you to see the power consumption of your specific configuration. CyClocks is a sub application located within the CyberClocks™ software. You can download a copy of CyberClocks for free on the Cypress web site at <http://www.cypress.com>.

## Cypress FTG Programmer

The Cypress frequency timing generator (FTG) programmer is a portable programmer designed to custom program our family of EPROM field programmable clock devices. The FTG programmer connects to a PC serial port and allow users of CyClocks software to quickly and easily program any of the CY2291F, CY2292F and CY2907F devices. The ordering code for the Cypress FTG Programmer is CY3670. An adapter, the CY3095, connects to the CY3670 and is required for programming the CY2292F.

## Custom Configuration Request Procedure

The CY229x are EPROM-programmable devices that may be configured in the factory or in the field by a Cypress field application engineer (FAE). The output frequencies requested is matched as closely as the internal PLL divider and multiplier options allow. All custom requests must be submitted to your local Cypress FAE or sales representative. The method to use to request custom configurations is:

Use CyClocks software. This software automatically calculates the output frequencies that can be generated by the CY229x devices and provides a print-out of final pinout which can be submitted (in electronic or print format) to your local FAE or sales representative.

When the custom request is processed, you receive a part number with a 3-digit extension (for example, CY2292SC-128) specific to the frequencies and pinout of your device. This is the part number used for samples requests and production orders.

## Maximum Ratings

Exceeding maximum ratings may shorten the useful life of the device. User guidelines are not tested.

Supply voltage ..... -0.5 V to +7.0 V  
 DC input voltage ..... -0.5 V to +7.0 V

Storage temperature ..... -65 °C to +150 °C  
 Maximum soldering temperature (10 sec) ..... 260 °C  
 Junction temperature ..... 150 °C  
 Package power dissipation ..... 750 mW  
 Static discharge voltage  
 (per MIL-STD-883, method 3015) ..... ≤ 2000 V

## Operating Conditions

Parameter <sup>[5]</sup>	Description	Part Numbers	Min	Max	Unit
V <sub>DD</sub>	Supply voltage, 5.0 V operation	All	4.5	5.5	V
V <sub>DD</sub>	Supply voltage, 3.3 V operation	All	3.0	3.6	V
T <sub>A</sub>	Commercial operating temperature, ambient	CY2292 / CY2292F	0	70	°C
	Industrial operating temperature, ambient	CY2292I / CY2292FI	-40	85	°C
C <sub>LOAD</sub>	Maximum load capacitance 5.0 V operation	All	–	25	pF
C <sub>LOAD</sub>	Maximum load capacitance 3.3 V operation	All	–	15	pF
f <sub>REF</sub>	External reference crystal	All	10.0	25.0	MHz
	External reference clock <sup>[6, 7, 8]</sup>	All	1	30	MHz

### Notes

5. Electrical parameters are guaranteed by design with these operating conditions, unless otherwise noted.
6. External input reference clock must have a duty cycle between 40% and 60%, measured at V<sub>DD</sub> / 2.
7. Refer to white paper "Crystal Oscillator Topics" for information on AC-coupling the external input reference clock.
8. The oscillator circuit is optimized for a crystal reference and for external reference clocks up to 20 MHz. For external reference clocks above 20 MHz, it is recommended that a 150 Ω pull up resistor to V<sub>DD</sub> be connected to the Xout pin.

## Electrical Characteristics

Commercial, 5.0 V

Parameter	Description	Conditions	Min	Typ	Max	Unit
V <sub>OH</sub>	High level output voltage	I <sub>OH</sub> = 4.0 mA	2.4	–	–	V
V <sub>OL</sub>	Low level output voltage	I <sub>OL</sub> = 4.0 mA	–	–	0.4	V
V <sub>IH</sub>	High level input voltage <sup>[9]</sup>	Except crystal pins	2.0	–	–	V
V <sub>IL</sub>	Low level input voltage <sup>[9]</sup>	Except crystal pins	–	–	0.8	V
I <sub>IH</sub>	Input high current	V <sub>IN</sub> = V <sub>DD</sub> – 0.5 V	–	< 1	10	μA
I <sub>IL</sub>	Input low current	V <sub>IN</sub> = +0.5 V	–	< 1	10	μA
I <sub>OZ</sub>	Output leakage current	Tristate outputs	–	–	250	μA
I <sub>DD</sub>	V <sub>DD</sub> supply current <sup>[10]</sup> commercial	V <sub>DD</sub> = V <sub>DD</sub> max, 5 V operation	–	75	100	mA
I <sub>DDS</sub>	V <sub>DD</sub> power supply current in shutdown mode <sup>[10]</sup>	Shutdown active	–	10	50	μA

## Electrical Characteristics

Commercial, 3.3 V

Parameter	Description	Conditions	Min	Typ	Max	Unit
V <sub>OH</sub>	High level output voltage	I <sub>OH</sub> = 4.0 mA	2.4	–	–	V
V <sub>OL</sub>	Low level output voltage	I <sub>OL</sub> = 4.0 mA	–	–	0.4	V
V <sub>IH</sub>	High level input voltage <sup>[9]</sup>	Except crystal pins	2.0	–	–	V
V <sub>IL</sub>	Low level input voltage <sup>[9]</sup>	Except crystal pins	–	–	0.8	V
I <sub>IH</sub>	Input high current	V <sub>IN</sub> = V <sub>DD</sub> – 0.5 V	–	< 1	10	μA
I <sub>IL</sub>	Input low current	V <sub>IN</sub> = +0.5 V	–	< 1	10	μA
I <sub>OZ</sub>	Output leakage current	Tristate outputs	–	–	250	μA
I <sub>DD</sub>	V <sub>DD</sub> supply current <sup>[10]</sup> commercial	V <sub>DD</sub> = V <sub>DD</sub> max, 3.3 V operation	–	50	65	mA
I <sub>DDS</sub>	V <sub>DD</sub> power supply current in shutdown mode <sup>[10]</sup>	Shutdown active	–	10	50	μA

### Notes

9. Xtal inputs have CMOS thresholds.

 10. Load = Max, V<sub>IN</sub> = 0 V or V<sub>DD</sub>. Typical (–104) configuration, CPUCLK = 66 MHz. Other configurations vary. Power can be approximated by the following formula (multiply by 0.65 for 3 V operation): I<sub>DD</sub> = 10 + 0.06•(F<sub>CPLL</sub> + F<sub>UPLL</sub> + 2•F<sub>SPLL</sub>) + 0.27•(F<sub>CLKA</sub> + F<sub>CLKB</sub> + F<sub>CLKC</sub> + F<sub>CLKD</sub> + F<sub>CPULCK</sub> + F<sub>XBUF</sub>).

## Electrical Characteristics

Industrial, 5.0 V

Parameter	Description	Conditions	Min	Typ	Max	Unit
V <sub>OH</sub>	High level output voltage	I <sub>OH</sub> = 4.0 mA	2.4	–	–	V
V <sub>OL</sub>	Low level output voltage	I <sub>OL</sub> = 4.0 mA	–	–	0.4	V
V <sub>IH</sub>	High level input voltage <sup>[11]</sup>	Except crystal pins	2.0	–	–	V
V <sub>IL</sub>	Low level input voltage <sup>[11]</sup>	Except crystal pins	–	–	0.8	V
I <sub>IH</sub>	Input high current	V <sub>IN</sub> = V <sub>DD</sub> – 0.5 V	–	< 1	10	μA
I <sub>IL</sub>	Input low current	V <sub>IN</sub> = +0.5 V	–	< 1	10	μA
I <sub>OZ</sub>	Output leakage current	Tristate outputs	–	–	250	μA
I <sub>DD</sub>	V <sub>DD</sub> supply current <sup>[12]</sup> industrial	V <sub>DD</sub> = V <sub>DD</sub> max, 5 V operation	–	75	110	mA
I <sub>DDS</sub>	V <sub>DD</sub> power supply current in shutdown mode <sup>[12]</sup>	Shutdown active	–	10	100	μA

## Electrical Characteristics

Industrial, 3.3 V

Parameter	Description	Conditions	Min	Typ	Max	Unit
V <sub>OH</sub>	High level output voltage	I <sub>OH</sub> = 4.0 mA	2.4	–	–	V
V <sub>OL</sub>	Low level output voltage	I <sub>OL</sub> = 4.0 mA	–	–	0.4	V
V <sub>IH</sub>	High level input voltage <sup>[11]</sup>	Except crystal pins	2.0	–	–	V
V <sub>IL</sub>	Low level input voltage <sup>[11]</sup>	Except crystal pins	–	–	0.8	V
I <sub>IH</sub>	Input high current	V <sub>IN</sub> = V <sub>DD</sub> – 0.5 V	–	< 1	10	μA
I <sub>IL</sub>	Input low current	V <sub>IN</sub> = +0.5 V	–	< 1	10	μA
I <sub>OZ</sub>	Output leakage current	Tristate outputs	–	–	250	μA
I <sub>DD</sub>	V <sub>DD</sub> supply current <sup>[12]</sup> industrial	V <sub>DD</sub> = V <sub>DD</sub> max, 3.3 V operation	–	50	70	mA
I <sub>DDS</sub>	V <sub>DD</sub> power supply current in shutdown mode <sup>[12]</sup>	Shutdown active	–	10	100	μA

### Notes

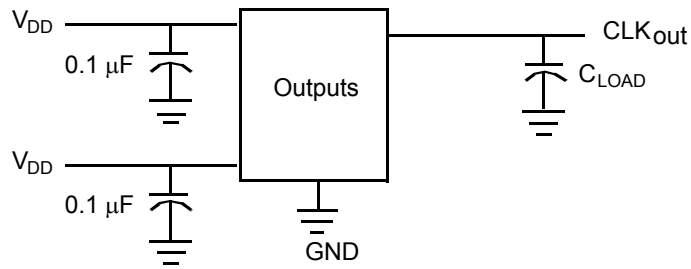
11. Xtal inputs have CMOS thresholds.

 12. Load = Max, V<sub>IN</sub> = 0 V or V<sub>DD</sub>, Typical (–104) configuration, CPUCLK = 66 MHz. Other configurations vary. Power can be approximated by the following formula (multiply by 0.65 for 3 V operation): I<sub>DD</sub> = 10 + 0.06\*(F<sub>CPLL</sub> + F<sub>UPLL</sub> + 2\*F<sub>SPLL</sub>) + 0.27\*(F<sub>CLKA</sub> + F<sub>CLKB</sub> + F<sub>CLKC</sub> + F<sub>CLKD</sub> + F<sub>CPCLK</sub> + F<sub>XBUF</sub>).



## Test Circuit

Figure 2. Test Circuit



## Switching Characteristics

Commercial, 5.0 V

Parameter	Name	Description	Min	Typ	Max	Unit
t <sub>1</sub>	Output period	Clock output range, 5 V operation	10 (100 MHz)	–	13000 (76.923 kHz)	ns
			CY2292SC, SXC	–	–	–
			11.1 (90 MHz)	–	13000 (76.923 kHz)	ns
	Output duty cycle <sup>[13]</sup>	Duty cycle for outputs, defined as $t_2 \div t_1$ <sup>[14]</sup> f <sub>OUT</sub> ≥ 66 MHz	40	50	60	%
		Duty cycle for outputs, defined as $t_2 \div t_1$ <sup>[14]</sup> f <sub>OUT</sub> < 66 MHz	45	50	55	%
t <sub>3</sub>	Rise time	Output clock rise time <sup>[15]</sup>	–	3	5	ns
t <sub>4</sub>	Fall time	Output clock fall time <sup>[15]</sup>	–	2.5	4	ns
t <sub>5</sub>	Output disable time	Time for output to enter tristate mode after SHUTDOWN/OE goes LOW	–	10	15	ns
t <sub>6</sub>	Output enable time	Time for output to leave tristate mode after SHUTDOWN/OE goes HIGH	–	10	15	ns
t <sub>7</sub>	Skew	Skew delay between any identical or related outputs <sup>[14, 16]</sup>	–	< 0.25	0.5	ns
t <sub>8</sub>	CPUCLK slew	Frequency transition rate	1.0	–	20.0	MHz/ ms
t <sub>9A</sub>	Clock jitter <sup>[16]</sup>	Peak-to-peak period jitter (t <sub>9A</sub> max – t <sub>9A</sub> min), percentage of clock period (f <sub>OUT</sub> ≤ 4 MHz)	–	< 0.5	1	%
t <sub>9B</sub>	Clock jitter <sup>[16]</sup>	Peak-to-peak period jitter (t <sub>9B</sub> max – t <sub>9B</sub> min) (4 MHz ≤ f <sub>OUT</sub> ≤ 16 MHz)	–	< 0.7	1	ns
t <sub>9C</sub>	Clock jitter <sup>[16]</sup>	Peak-to-peak period jitter (16 MHz < f <sub>OUT</sub> ≤ 50 MHz)	–	< 400	500	ps
t <sub>9D</sub>	Clock jitter <sup>[16]</sup>	Peak-to-peak period jitter (f <sub>OUT</sub> > 50 MHz)	–	< 250	350	ps
t <sub>10A</sub>	Lock time for CPLL	Lock time from power-up	–	< 25	50	ms
t <sub>10B</sub>	Lock time for UPLL and SPLL	Lock time from power-up	–	< 0.25	1	ms
	Slew limits	CPU PLL slew limits	20	–	100	MHz
			CY2292SC, SXC	–	–	–
			20	–	90	MHz
				–	–	–

**Notes**

13. XBUF duty cycle depends on XTALIN duty cycle.

14. Measured at 1.4 V.

15. Measured between 0.4 V and 2.4 V.

16. Jitter varies with configuration. All standard configurations sample tested at the factory conform to this limit.

## Switching Characteristics

Commercial, 3.3 V

Parameter	Name	Description	Min	Typ	Max	Unit	
t <sub>1</sub>	Output period	Clock output range, 3.3 V operation	CY2292SL, SXL	12.5 (80 MHz)	–	13000 (76.923 kHz)	ns
			CY2292F, FXC, FZX	15 (66.6 MHz)	–	13000 (76.923 kHz)	ns
	Output duty cycle <sup>[17]</sup>	Duty cycle for outputs, defined as $t_2 \div t_1$ <sup>[18]</sup> f <sub>OUT</sub> ≥ 66 MHz		40	50	60	%
		Duty cycle for outputs, defined as $t_2 \div t_1$ <sup>[18]</sup> f <sub>OUT</sub> < 66 MHz		45	50	55	%
t <sub>3</sub>	Rise time	Output clock rise time <sup>[19]</sup>	–	3	5	ns	
t <sub>4</sub>	Fall time	Output clock fall time <sup>[19]</sup>	–	2.5	4	ns	
t <sub>5</sub>	Output disable time	Time for output to enter tristate mode after SHUTDOWN/OE goes LOW	–	10	15	ns	
t <sub>6</sub>	Output enable time	Time for output to leave tristate mode after SHUTDOWN/OE goes HIGH	–	10	15	ns	
t <sub>7</sub>	Skew	Skew delay between any identical or related outputs <sup>[18, 20]</sup>	–	< 0.25	0.5	ns	
t <sub>8</sub>	CPUCLK slew	Frequency transition rate	1.0	–	20.0	MHz/ ms	
t <sub>9A</sub>	Clock jitter <sup>[20]</sup>	Peak-to-peak period jitter (t <sub>9A</sub> max – t <sub>9A</sub> min), percentage of clock period (f <sub>OUT</sub> ≤ 4 MHz)	–	< 0.5	1	%	
t <sub>9B</sub>	Clock jitter <sup>[20]</sup>	Peak-to-peak period jitter (t <sub>9B</sub> max – t <sub>9B</sub> min) (4 MHz ≤ f <sub>OUT</sub> ≤ 16 MHz)	–	< 0.7	1	ns	
t <sub>9C</sub>	Clock jitter <sup>[20]</sup>	Peak-to-peak period jitter (16 MHz < f <sub>OUT</sub> ≤ 50 MHz)	–	< 400	500	ps	
t <sub>9D</sub>	Clock jitter <sup>[20]</sup>	Peak-to-peak period jitter (f <sub>OUT</sub> > 50 MHz)	–	< 250	350	ps	
t <sub>10A</sub>	Lock time for CPLL	Lock time from power-up	–	< 25	50	ms	
t <sub>10B</sub>	Lock time for UPLL and SPLL	Lock time from power-up	–	< 0.25	1	ms	
	Slew limits	CPU PLL slew limits	CY2292SL, SXL	20	–	80	MHz
			CY2292F, FXC, FZX	20	–	66.6	MHz

**Notes**

17. XBUF duty cycle depends on XTALIN duty cycle.

18. Measured at 1.4 V.

19. Measured between 0.4 V and 2.4 V.

20. Jitter varies with configuration. All standard configurations sample tested at the factory conform to this limit.

## Switching Characteristics

Industrial, 5.0 V

Parameter	Name	Description	Min	Typ	Max	Unit	
t <sub>1</sub>	Output period	Clock output range, 5 V operation	CY2292SI, SXI	11.1 (90 MHz)	–	13000 (76.923 kHz)	ns
			CY2292FXI, FZXI	12.5 (80 MHz)	–	13000 (76.923 kHz)	ns
	Output duty cycle <sup>[21]</sup>	Duty cycle for outputs, defined as $t_2 \div t_1$ <sup>[22]</sup> f <sub>OUT</sub> ≥ 66 MHz	40	50	60	%	
		Duty cycle for outputs, defined as $t_2 \div t_1$ <sup>[22]</sup> f <sub>OUT</sub> < 66 MHz	45	50	55	%	
t <sub>3</sub>	Rise time	Output clock rise time <sup>[23]</sup>	–	3	5	ns	
t <sub>4</sub>	Fall time	Output clock fall time <sup>[23]</sup>	–	2.5	4	ns	
t <sub>5</sub>	Output disable time	Time for output to enter tristate mode after SHUTDOWN/OE goes LOW	–	10	15	ns	
t <sub>6</sub>	Output enable time	Time for output to leave tristate mode after SHUTDOWN/OE goes HIGH	–	10	15	ns	
t <sub>7</sub>	Skew	Skew delay between any identical or related outputs <sup>[22, 24]</sup>	–	< 0.25	0.5	ns	
t <sub>8</sub>	CPUCLK slew	Frequency transition rate	1.0	–	20.0	MHz/ ms	
t <sub>9A</sub>	Clock jitter <sup>[24]</sup>	Peak-to-peak period jitter (t <sub>9A</sub> max – t <sub>9A</sub> min), percentage of clock period (f <sub>OUT</sub> ≤ 4 MHz)	–	< 0.5	1	%	
t <sub>9B</sub>	Clock jitter <sup>[24]</sup>	Peak-to-peak period jitter (t <sub>9B</sub> max – t <sub>9B</sub> min) (4 MHz ≤ f <sub>OUT</sub> ≤ 16 MHz)	–	< 0.7	1	ns	
t <sub>9C</sub>	Clock jitter <sup>[28]</sup>	Peak-to-peak period jitter (16 MHz < f <sub>OUT</sub> ≤ 50 MHz)	–	< 400	500	ps	
t <sub>9D</sub>	Clock jitter <sup>[28]</sup>	Peak-to-peak period jitter (f <sub>OUT</sub> > 50 MHz)	–	< 250	350	ps	
t <sub>10A</sub>	Lock time for CPLL	Lock time from power-up	–	< 25	50	ms	
t <sub>10B</sub>	Lock time for UPLL and SPLL	Lock time from power-up	–	< 0.25	1	ms	
	Slew limits	CPU PLL slew limits	CY2292SI, SXI	20	–	90	MHz
			CY2292FXI, FZXI	20	–	80	MHz

**Notes**

21. XBUF duty cycle depends on XTALIN duty cycle.

22. Measured at 1.4 V.

23. Measured between 0.4 V and 2.4 V.

24. Jitter varies with configuration. All standard configurations sample tested at the factory conform to this limit.

## Switching Characteristics

Industrial, 3.3 V

Parameter	Name	Description	Min	Typ	Max	Unit	
t <sub>1</sub>	Output period	Clock output range, 3.3 V operation	15 (66.6 MHz)	–	13000 (76.923 kHz)	ns	
			CY2292FXI, FZXI	16.66 (60 MHz)	–	13000 (76.923 kHz)	ns
	Output duty cycle <sup>[25]</sup>	Duty cycle for outputs, defined as $t_2 \div t_1$ <sup>[26]</sup> f <sub>OUT</sub> ≥ 66 MHz	40	50	60	%	
		Duty cycle for outputs, defined as $t_2 \div t_1$ <sup>[26]</sup> f <sub>OUT</sub> < 66 MHz	45	50	55	%	
t <sub>3</sub>	Rise time	Output clock rise time <sup>[27]</sup>	–	3	5	ns	
t <sub>4</sub>	Fall time	Output clock fall time <sup>[27]</sup>	–	2.5	4	ns	
t <sub>5</sub>	Output disable time	Time for output to enter tristate mode after SHUTDOWN/OE goes LOW	–	10	15	ns	
t <sub>6</sub>	Output enable time	Time for output to leave tristate mode after SHUTDOWN/OE goes HIGH	–	10	15	ns	
t <sub>7</sub>	Skew	Skew delay between any identical or related outputs <sup>[26, 28]</sup>	–	< 0.25	0.5	ns	
t <sub>8</sub>	CPUCLK slew	Frequency transition rate	1.0	–	20.0	MHz/ ms	
t <sub>9A</sub>	Clock jitter <sup>[28]</sup>	Peak-to-peak period jitter (t <sub>9A</sub> max – t <sub>9A</sub> min), percentage of clock period (f <sub>OUT</sub> ≤ 4 MHz)	–	< 0.5	1	%	
t <sub>9B</sub>	Clock jitter <sup>[28]</sup>	Peak-to-peak period jitter (t <sub>9B</sub> max – t <sub>9B</sub> min) (4 MHz ≤ f <sub>OUT</sub> ≤ 16 MHz)	–	< 0.7	1	ns	
t <sub>9C</sub>	Clock jitter <sup>[28]</sup>	Peak-to-peak period jitter (16 MHz < f <sub>OUT</sub> ≤ 50 MHz)	–	< 400	500	ps	
t <sub>9D</sub>	Clock jitter <sup>[28]</sup>	Peak-to-peak period jitter (f <sub>OUT</sub> > 50 MHz)	–	< 250	350	ps	
t <sub>10A</sub>	Lock time for CPLL	Lock time from power-up	–	< 25	50	ms	
t <sub>10B</sub>	Lock time for UPLL and SPLL	Lock time from power-up	–	< 0.25	1	ms	
	Slew limits	CPU PLL slew limits	CY2292SI, SXI	20	–	66.6	MHz
			CY2292FXI, FZXI	20	–	60	MHz

**Notes**

25. XBUF duty cycle depends on XTALIN duty cycle.

26. Measured at 1.4 V.

27. Measured between 0.4 V and 2.4 V.

28. Jitter varies with configuration. All standard configurations sample tested at the factory conform to this limit.

## Switching Waveforms

Figure 3. All Outputs, Duty Cycle and Rise / Fall Time

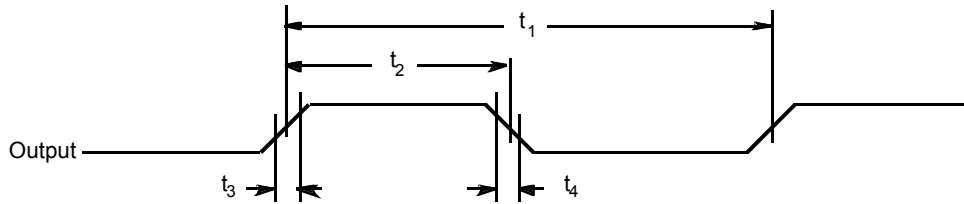


Figure 4. Output Tristate Timing [29]

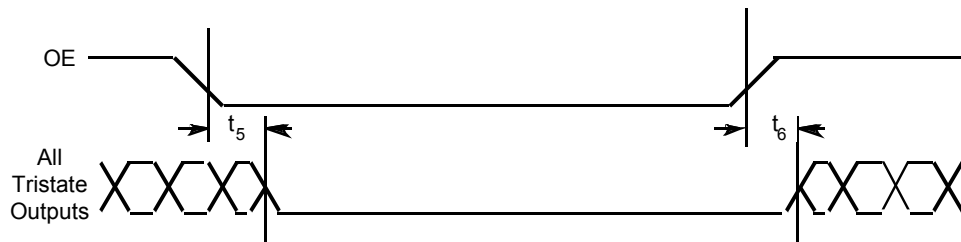


Figure 5. CLK Outputs Jitter and Skew

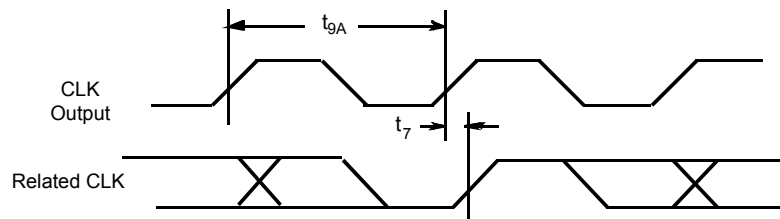
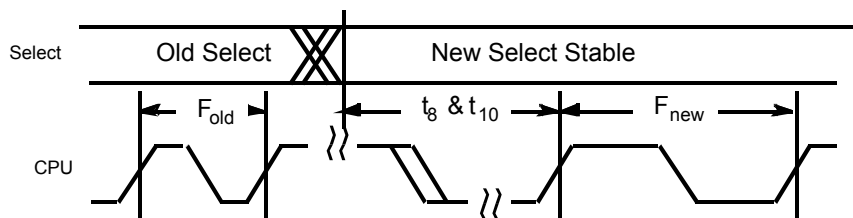


Figure 6. CPU Frequency Change



**Note**

29. The CY2292 has weak pull downs on all outputs. Hence, when a tristate condition is forced on the outputs, the output pins are pulled low.

### Ordering Information

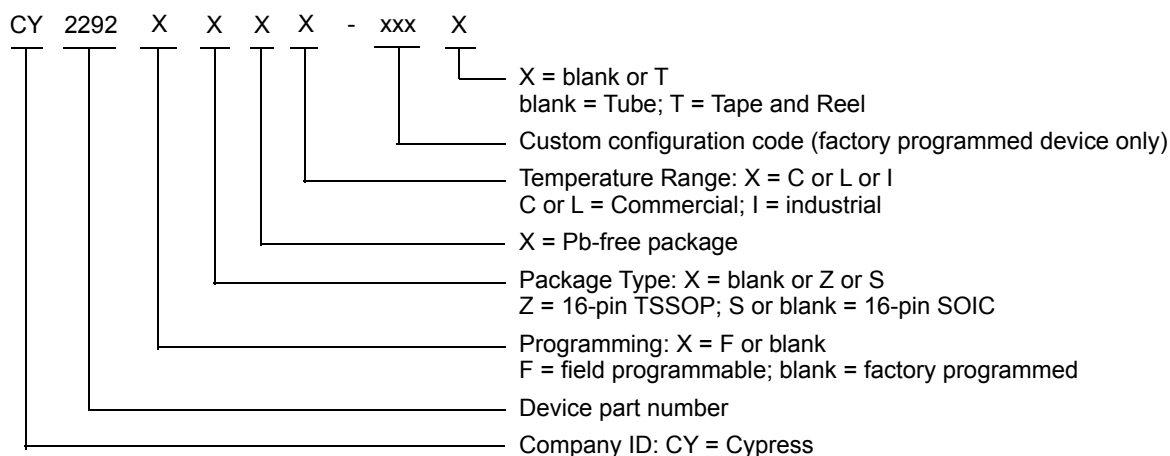
Ordering Code	Package Type	Operating Range	Operating Voltage
<b>Pb-free</b>			
CY2292FXC	16-pin SOIC	Commercial, 0 °C to 70 °C	3.3 V or 5.0 V
CY2292FXCT	16-pin SOIC – Tape and Reel	Commercial, 0 °C to 70 °C	3.3 V or 5.0 V
CY2292FXI	16-pin SOIC	Industrial, –40 °C to 85 °C	3.3 V or 5.0 V
CY2292FXIT	16-pin SOIC – Tape and Reel	Industrial, –40 °C to 85 °C	3.3 V or 5.0 V
CY2292FZX	16-pin TSSOP	Commercial, 0 °C to 70 °C	3.3 V or 5.0 V
CY2292FZXT	16-pin TSSOP – Tape and Reel	Commercial, 0 °C to 70 °C	3.3 V or 5.0 V
CY2292FZXI	16-pin TSSOP	Industrial, –40 °C to 85 °C	3.3 V or 5.0 V
CY2292FZXIT	16-pin TSSOP – Tape and Reel	Industrial, –40 °C to 85 °C	3.3 V or 5.0 V
<b>Programmer</b>			
CY3670	FTG Clock Programmer		
CY3095	Adapter for programming the CY2292F on the CY3670		

### Possible Configurations

Some product offerings are factory programmed customer specific devices with customized part numbers. This table shows the available device types, but not complete part numbers. Contact your local Cypress FAE or Sales Representative for more information.

Ordering Code	Package Type	Operating Range	Operating Voltage
<b>Pb-free</b>			
CY2292SXC-xxx	16-pin SOIC	Commercial, 0 °C to 70 °C	5.0 V
CY2292SXC-xxxT	16-pin SOIC – Tape and Reel	Commercial, 0 °C to 70 °C	5.0 V
CY2292SXL-xxx	16-pin SOIC	Commercial, 0 °C to 70 °C	3.3 V
CY2292SXI-xxx	16-pin SOIC	Industrial, –40 °C to 85 °C	3.3 V or 5.0 V
CY2292SXI-xxxT	16-pin SOIC – Tape and Reel	Industrial, –40 °C to 85 °C	3.3 V or 5.0 V

### Ordering Code Definitions

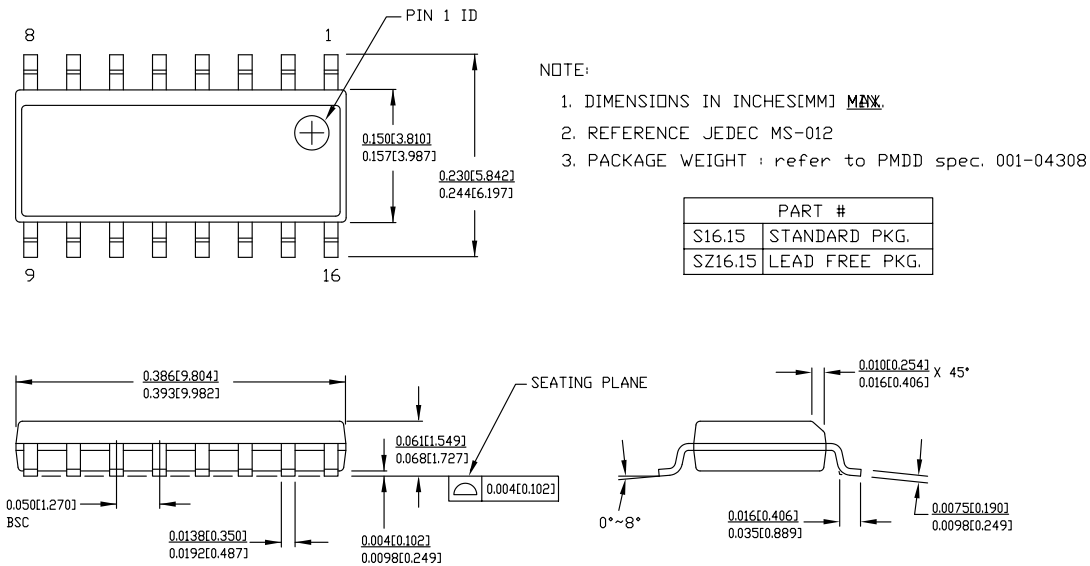


### Package Characteristics

Package	$\theta_{JA}$ (°C/W)	$\theta_{JC}$ (°C/W)	Transistor Count
16-pin SOIC	83	19	9271
16-pin TSSOP	103	32	

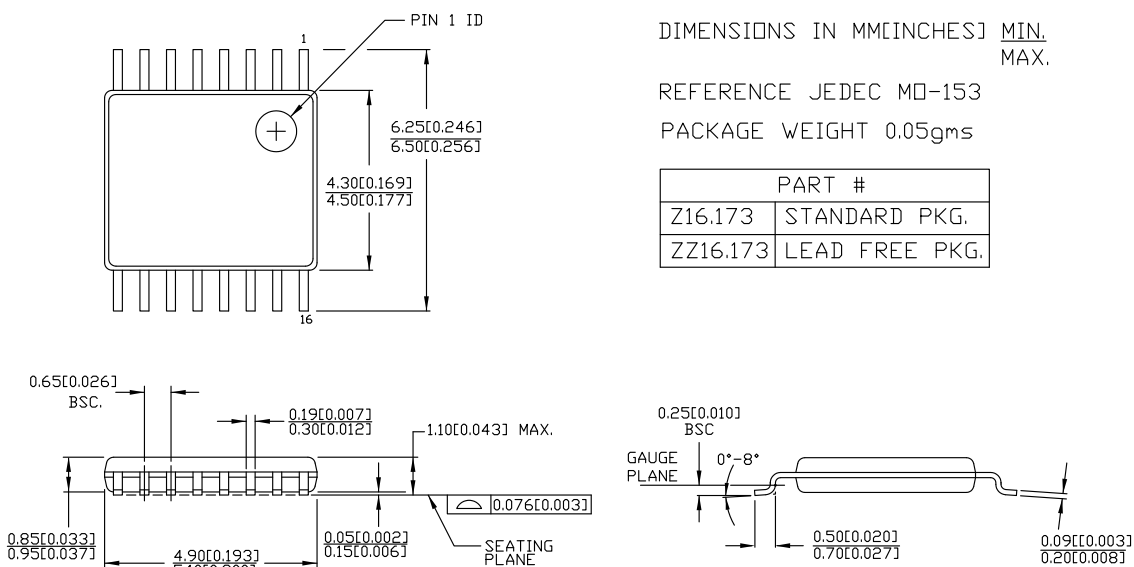
### Package Diagrams

Figure 7. 16-pin SOIC (150 Mils) S16.15/SZ16.15 Package Outline, 51-85068



51-85068 \*E

Figure 8. 16-pin TSSOP 4.40 mm Body Z16.173/ZZ16.173 Package Outline, 51-85091



51-85091 \*E



## Acronyms

Acronym	Description
CPU	Central Processing Unit
CMOS	Complementary Metal Oxide Semiconductor
DC	Direct Current
EPROM	Erasable Programmable Read Only Memory
FAE	Field Application Engineer
FTG	Frequency Timing Group
OE	Output Enable
OSC	Oscillator
PD	Power Down
PLL	Phase Locked Loop
ROM	Read Only Memory
SOIC	Small Outline Integrated Circuit
TSSOP	Thin Shrunk Small Outline Package

## Document Conventions

### Units of Measure

Symbol	Unit of Measure
°C	degree Celsius
kΩ	kilohm
MHz	megahertz
μA	microampere
mA	milliampere
ms	millisecond
mW	milliwatt
ns	nanosecond
Ω	ohm
%	percent
pF	picofarad
ppm	parts per million
ps	picosecond
V	volt

## Document History Page

Document Title: CY2292, Three-PLL General-Purpose EPROM-Programmable Clock Generator				
Document Number: 38-07449				
Revision	ECN	Orig. of Change	Submission Date	Description of Change
**	116993	DSG	07/01/02	Changed from Spec number: 38-00946 to 38-07449
*A	119639	CKN	12/05/02	Updated <a href="#">Operation</a> : Updated <a href="#">Power Saving Features</a> : Replaced 8 MHz with 20 MHz.
*B	277130	RGL	10/26/04	Updated <a href="#">Ordering Information</a> : Updated part numbers.
*C	395808	RGL	09/07/05	Updated <a href="#">Ordering Information</a> : No change in part numbers. Minor Change: Fixed typo in the "Package Type" column.
*D	2565316	AESA / KVM	09/16/08	Updated <a href="#">CyClocks Software</a> : Updated description. Updated <a href="#">Ordering Information</a> : Updated part numbers. Replaced "Lead-Free" with "Pb-Free". Added Note "Not recommended for new designs." and referred in non Pb-free part numbers. Updated to new template.
*E	2761988	KVM	09/10/09	Updated <a href="#">Selector Guide</a> : Updated details in "Part Number" column. Removed the column "Outputs". Consolidated two rows. Updated <a href="#">Switching Characteristics</a> : Updated details in "Description" column (Updated part number suffixes). Updated <a href="#">Switching Characteristics</a> : Updated details in "Description" column (Updated part number suffixes). Updated <a href="#">Switching Characteristics</a> : Updated details in "Description" column (Updated part number suffixes). Updated <a href="#">Switching Characteristics</a> : Updated details in "Description" column (Updated part number suffixes). Updated <a href="#">Ordering Information</a> : No change in part numbers. Included Temperature Range values in "Operating Range" column. Minor Change: Fixed typo in the "Operating Range" column corresponding to part numbers CY2292FZXI and CY2292FZXIT.
*F	2897775	KVM	03/23/10	Updated <a href="#">Ordering Information</a> : Updated part numbers. Added <a href="#">Possible Configurations</a> . Moved xxx parts from ordering information table to possible configurations table. Updated <a href="#">Package Diagrams</a> .
*G	2948137	KVM	06/09/10	Updated <a href="#">Pinouts</a> : Updated <a href="#">Figure 1</a> (Updated title only (to include both SOIC and TSSOP)). Added <a href="#">Acronyms</a> .
*H	3010397	KVM	08/18/2010	Removed CY2071F related information in all instances across the document as CY2071F is obsolete. Updated <a href="#">Cypress FTG Programmer</a> : Updated description. Updated <a href="#">Ordering Information</a> : Updated part numbers. Added <a href="#">Ordering Code Definitions</a> .

**Document History Page** *(continued)*

Document Title: CY2292, Three-PLL General-Purpose EPROM-Programmable Clock Generator				
Document Number: 38-07449				
Revision	ECN	Orig. of Change	Submission Date	Description of Change
*I	3849272	PURU	12/21/2012	Removed "Understanding the CY2291 and CY2292" application note related information in all instances across the document. Updated <a href="#">Package Diagrams</a> : spec 51-85068 – Changed revision from *C to *E. spec 51-85091 – Changed revision from *C to *D.
*J	4161799	CINM	10/18/2013	Updated <a href="#">Package Characteristics</a> : Added $\theta_{JA}$ and $\theta_{JC}$ values for 16-pin TSSOP package. Updated to new template. Completing Sunset Review.
*K	4576237	AJU	11/21/2014	Updated <a href="#">Functional Description</a> : Added "For a complete list of related documentation, click <a href="#">here</a> ." at the end. Updated <a href="#">Package Diagrams</a> .
*L	5495659	XHT	10/26/2016	Updated to new template. Completing Sunset Review.
*M	5986795	AESATP12	12/07/2017	Updated logo and copyright.

## Sales, Solutions, and Legal Information

### Worldwide Sales and Design Support

Cypress maintains a worldwide network of offices, solution centers, manufacturer's representatives, and distributors. To find the office closest to you, visit us at [Cypress Locations](#).

#### Products

ARM® Cortex® Microcontrollers	<a href="http://cypress.com/arm">cypress.com/arm</a>
Automotive	<a href="http://cypress.com/automotive">cypress.com/automotive</a>
Clocks & Buffers	<a href="http://cypress.com/clocks">cypress.com/clocks</a>
Interface	<a href="http://cypress.com/interface">cypress.com/interface</a>
Internet of Things	<a href="http://cypress.com/iot">cypress.com/iot</a>
Memory	<a href="http://cypress.com/memory">cypress.com/memory</a>
Microcontrollers	<a href="http://cypress.com/mcu">cypress.com/mcu</a>
PSoC	<a href="http://cypress.com/psoc">cypress.com/psoc</a>
Power Management ICs	<a href="http://cypress.com/pmic">cypress.com/pmic</a>
Touch Sensing	<a href="http://cypress.com/touch">cypress.com/touch</a>
USB Controllers	<a href="http://cypress.com/usb">cypress.com/usb</a>
Wireless Connectivity	<a href="http://cypress.com/wireless">cypress.com/wireless</a>

#### PSoC® Solutions

[PSoC 1](#) | [PSoC 3](#) | [PSoC 4](#) | [PSoC 5LP](#) | [PSoC 6](#)

#### Cypress Developer Community

[Forums](#) | [WICED IOT Forums](#) | [Projects](#) | [Video](#) | [Blogs](#) | [Training](#) | [Components](#)

#### Technical Support

[cypress.com/support](http://cypress.com/support)

© Cypress Semiconductor Corporation, 2002-2017. This document is the property of Cypress Semiconductor Corporation and its subsidiaries, including Spansion LLC ("Cypress"). This document, including any software or firmware included or referenced in this document ("Software"), is owned by Cypress under the intellectual property laws and treaties of the United States and other countries worldwide. Cypress reserves all rights under such laws and treaties and does not, except as specifically stated in this paragraph, grant any license under its patents, copyrights, trademarks, or other intellectual property rights. If the Software is not accompanied by a license agreement and you do not otherwise have a written agreement with Cypress governing the use of the Software, then Cypress hereby grants you a personal, non-exclusive, nontransferable license (without the right to sublicense) (1) under its copyright rights in the Software (a) for Software provided in source code form, to modify and reproduce the Software solely for use with Cypress hardware products, only internally within your organization, and (b) to distribute the Software in binary code form externally to end users (either directly or indirectly through resellers and distributors), solely for use on Cypress hardware product units, and (2) under those claims of Cypress's patents that are infringed by the Software (as provided by Cypress, unmodified) to make, use, distribute, and import the Software solely for use with Cypress hardware products. Any other use, reproduction, modification, translation, or compilation of the Software is prohibited.

TO THE EXTENT PERMITTED BY APPLICABLE LAW, CYPRESS MAKES NO WARRANTY OF ANY KIND, EXPRESS OR IMPLIED, WITH REGARD TO THIS DOCUMENT OR ANY SOFTWARE OR ACCOMPANYING HARDWARE, INCLUDING, BUT NOT LIMITED TO, THE IMPLIED WARRANTIES OF MERCHANTABILITY AND FITNESS FOR A PARTICULAR PURPOSE. To the extent permitted by applicable law, Cypress reserves the right to make changes to this document without further notice. Cypress does not assume any liability arising out of the application or use of any product or circuit described in this document. Any information provided in this document, including any sample design information or programming code, is provided only for reference purposes. It is the responsibility of the user of this document to properly design, program, and test the functionality and safety of any application made of this information and any resulting product. Cypress products are not designed, intended, or authorized for use as critical components in systems designed or intended for the operation of weapons, weapons systems, nuclear installations, life-support devices or systems, other medical devices or systems (including resuscitation equipment and surgical implants), pollution control or hazardous substances management, or other uses where the failure of the device or system could cause personal injury, death, or property damage ("Unintended Uses"). A critical component is any component of a device or system whose failure to perform can be reasonably expected to cause the failure of the device or system, or to affect its safety or effectiveness. Cypress is not liable, in whole or in part, and you shall and hereby do release Cypress from any claim, damage, or other liability arising from or related to all Unintended Uses of Cypress products. You shall indemnify and hold Cypress harmless from and against all claims, costs, damages, and other liabilities, including claims for personal injury or death, arising from or related to any Unintended Uses of Cypress products.

Cypress, the Cypress logo, Spansion, the Spansion logo, and combinations thereof, WICED, PSoC, CapSense, EZ-USB, F-RAM, and Traveo are trademarks or registered trademarks of Cypress in the United States and other countries. For a more complete list of Cypress trademarks, visit [cypress.com](http://cypress.com). Other names and brands may be claimed as property of their respective owners.