

MTU

Memory Test Unit

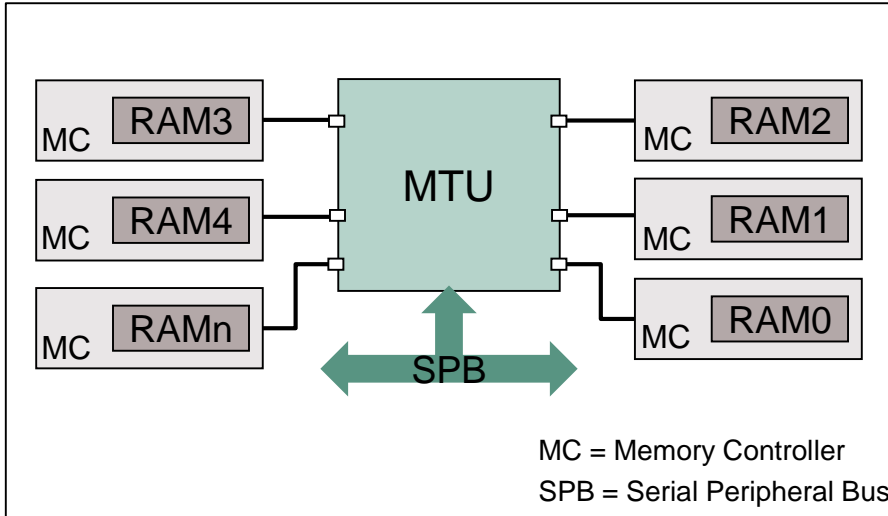
AURIX™ TC2xx Microcontroller Training
V1.0 2019-03



[Please read the Important Notice and Warnings at the end of this document](#)

MTU

Memory Test Unit



Highlights

- > The Memory Test Unit (MTU) integrates a unified interface for the control of Error Correction (ECC), Built-in-Self-Test (BIST) and redundancy features on the internal SRAMs within the AURIX™ family of microcontrollers.

Key Features

Memory Initialization

Memory Built-In-Self-Test (MBIST)

Customer Benefits

- > Fill the memories with a pre-defined data value for initialization
- > Verification of integrity of the internal SRAMs realized in hardware

Memory Initialization

- › Each SRAM in the system can be individually initialized via the MTU
- › The MTU offers two initialization options:
 - Clear a SRAM by writing “0” to all memory locations
 - User only needs to set one bit in a register to have a cleared SRAM
 - Rest is done in HW
 - CPU not used to access the SRAM
 - Fill up a SRAM with a defined pattern chosen by the user
 - User needs to provide the pattern to be written in the SRAM and start the write operation
 - CPU not used to access the SRAM

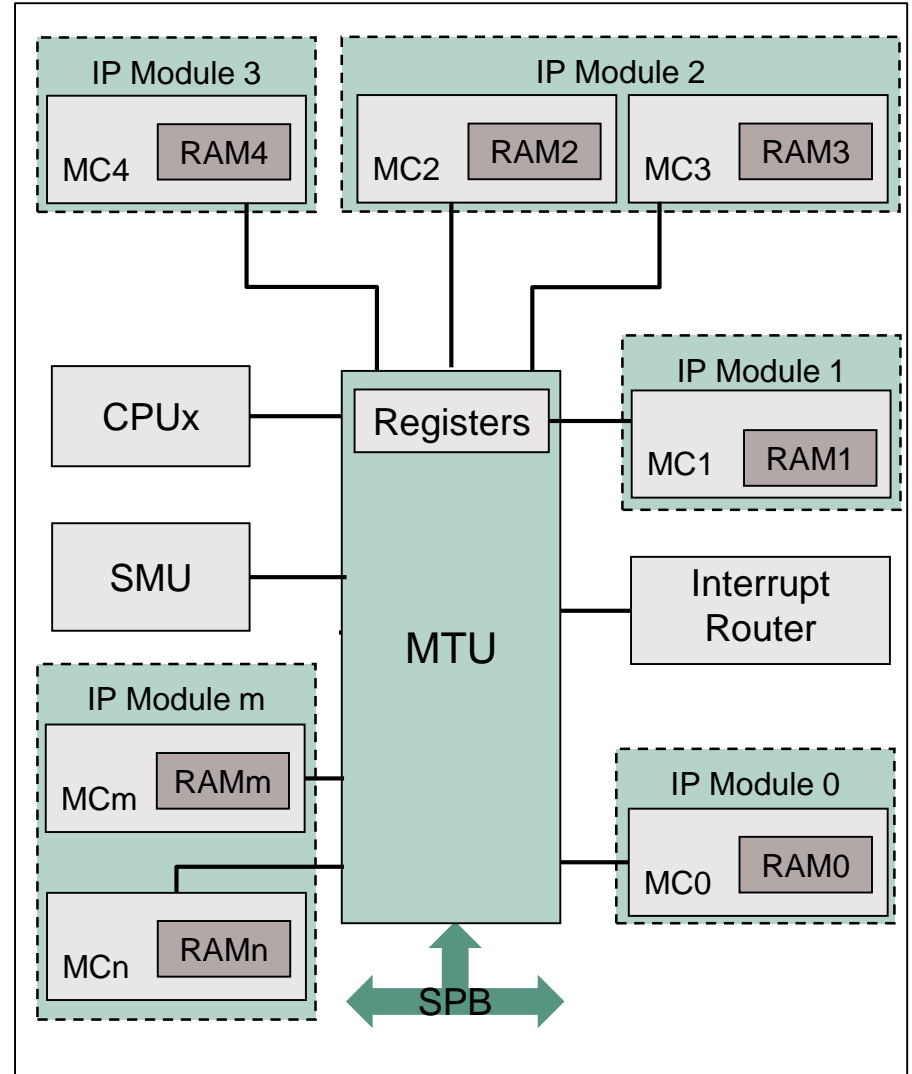
Memory Built-In-Self-Test (MBIST)

- › The MTU enables the user to perform various Memory Built-in Self Tests (MBIST) on the memory and obtains the test results
- › The MTU MBIST relies on an Error Correction Code which has the following characteristics:
 - Single Bit Error Correction
 - Double Bit Error Detection
- › The MTU also sends alarm notification to Safety Management Unit (SMU):
 - The MTU sends SRAM specific alarms to the SMU
 - Correctable Error alarm
 - Uncorrectable Error alarm
 - Address Error
 - Error Buffer Overflow

MTU

System Integration

- › The MTU is a unified interface for the control of MBIST, ECC and memory initialization
- › Different IP modules in the system (E.g. CPU, LMU, CAN etc.) may have one or more than one SRAM inside them
- › Surrounding every SRAM is its own SRAM Memory Controller (MC) wrapper, with its own registers and MBIST logic.
- › The advantage of using the MTU is that it provides direct access to the memories without using the CPU
- › Even small memories that are not directly accessible via the CPU can be tested using MBIST



Trademarks

All referenced product or service names and trademarks are the property of their respective owners.

Edition 2019-03

Published by

**Infineon Technologies AG
81726 Munich, Germany**

**© 2019 Infineon Technologies AG.
All Rights Reserved.**

Do you have a question about this document?

Email: erratum@infineon.com

Document reference

AURIX_Training_1_Memory_Test_Unit

IMPORTANT NOTICE

The information given in this document shall in no event be regarded as a guarantee of conditions or characteristics (“Beschaffenheitsgarantie”).

With respect to any examples, hints or any typical values stated herein and/or any information regarding the application of the product, Infineon Technologies hereby disclaims any and all warranties and liabilities of any kind, including without limitation warranties of non-infringement of intellectual property rights of any third party.

In addition, any information given in this document is subject to customer’s compliance with its obligations stated in this document and any applicable legal requirements, norms and standards concerning customer’s products and any use of the product of Infineon Technologies in customer’s applications.

The data contained in this document is exclusively intended for technically trained staff. It is the responsibility of customer’s technical departments to evaluate the suitability of the product for the intended application and the completeness of the product information given in this document with respect to such application.

For further information on the product, technology, delivery terms and conditions and prices please contact your nearest Infineon Technologies office (www.infineon.com).

WARNINGS

Due to technical requirements products may contain dangerous substances. For information on the types in question please contact your nearest Infineon Technologies office.

Except as otherwise explicitly approved by Infineon Technologies in a written document signed by authorized representatives of Infineon Technologies, Infineon Technologies’ products may not be used in any applications where a failure of the product or any consequences of the use thereof can reasonably be expected to result in personal injury.