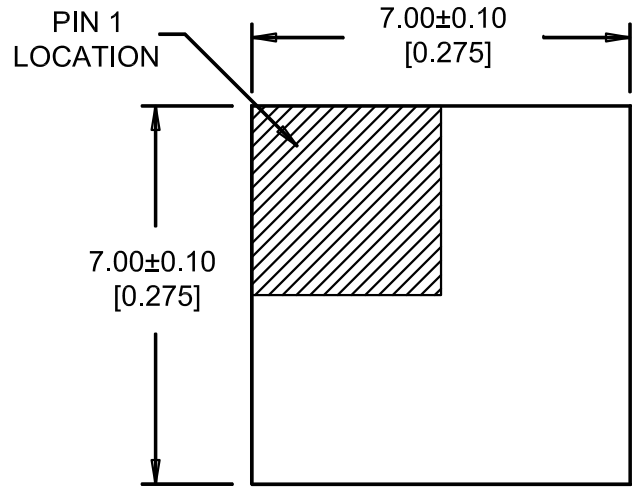
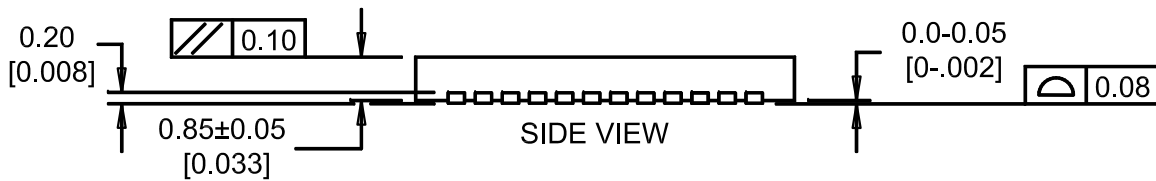


QFN48 7X7
Package Dimensions

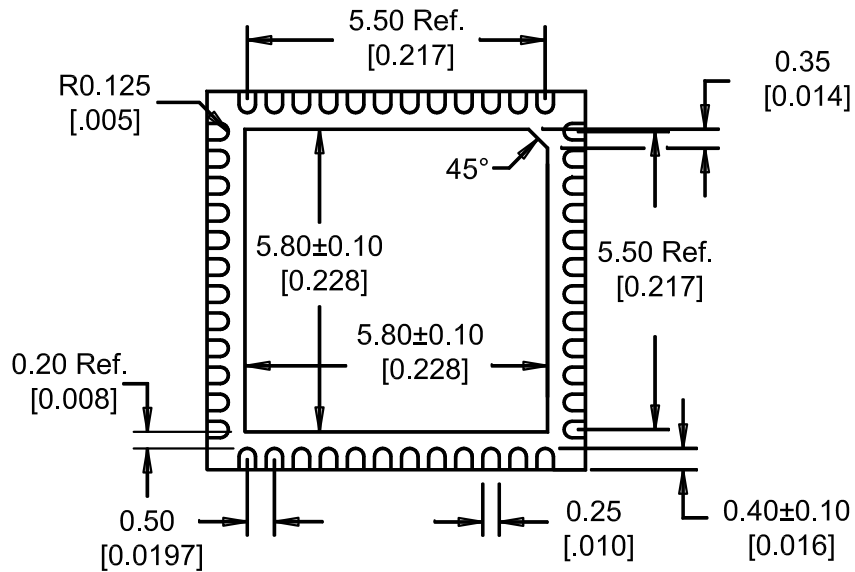


TOP VIEW

UNLESS OTHERWISE SPECIFIED
TOLERANCE ON DIMENSIONS:
.XX ±0.05
.XXX ±0.030
ALL DIMENSIONS ARE IN mm [INCH]



SIDE VIEW



BOTTOM VIEW

Recommended
PCB Land Pattern

