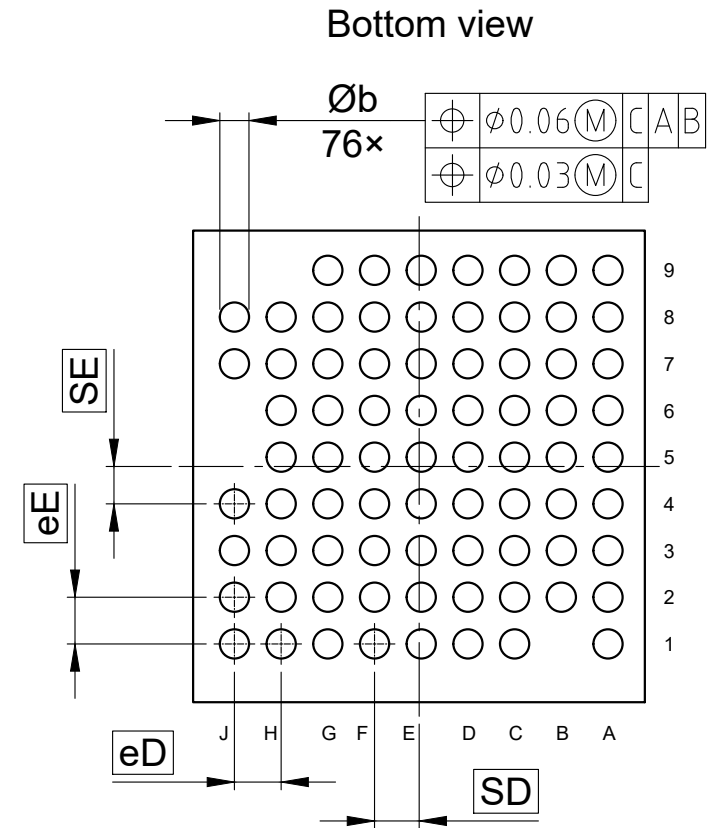
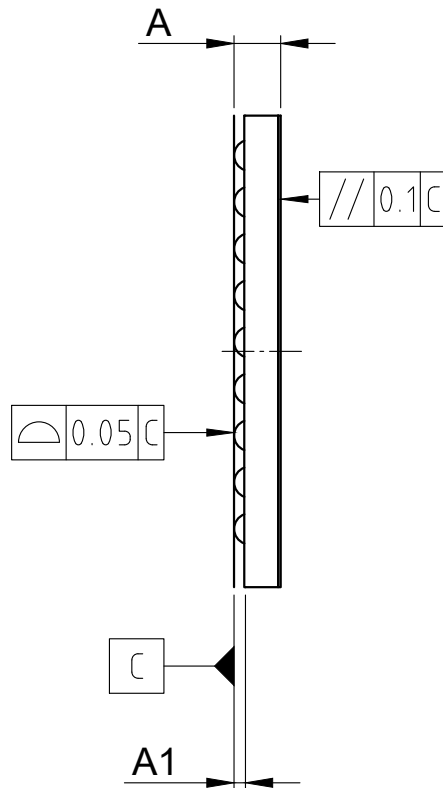


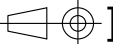
Pin1 marking



Bottom view

SYMBOL	DIMENSIONS		
	MIN.	NOM.	MAX.
A	-	-	0.4
A1	0.072	0.08	0.088
D	3.87 BSC		
E	4.04 BSC		
Øb	0.22	0.25	0.28
eD	0.4 BSC		
eE	0.4 BSC		
SD	0.381		
SE	0.321		

All dimensions are in units mm

The drawing is in compliance with ISO 128-30, Projection Method 1 []