



Please note that Cypress is an Infineon Technologies Company.

The document following this cover page is marked as “Cypress” document as this is the company that originally developed the product. Please note that Infineon will continue to offer the product to new and existing customers as part of the Infineon product portfolio.

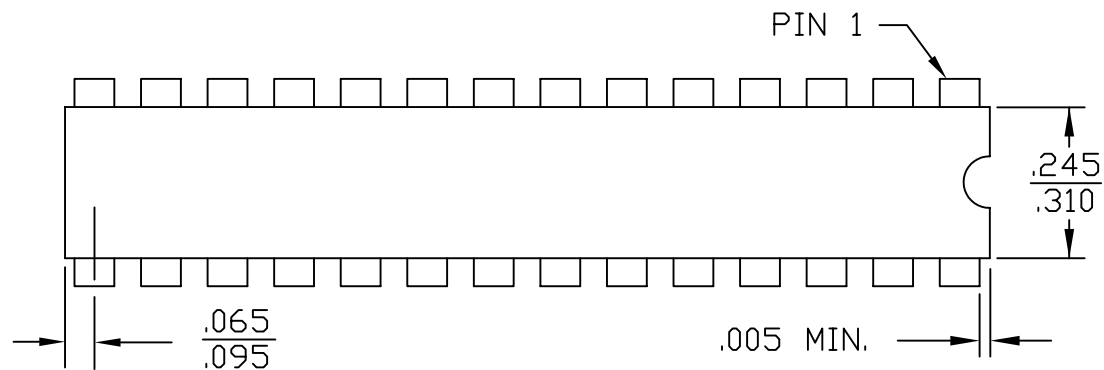
Continuity of document content

The fact that Infineon offers the following product as part of the Infineon product portfolio does not lead to any changes to this document. Future revisions will occur when appropriate, and any changes will be set out on the document history page.

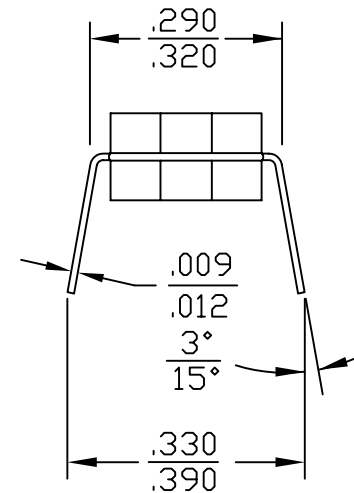
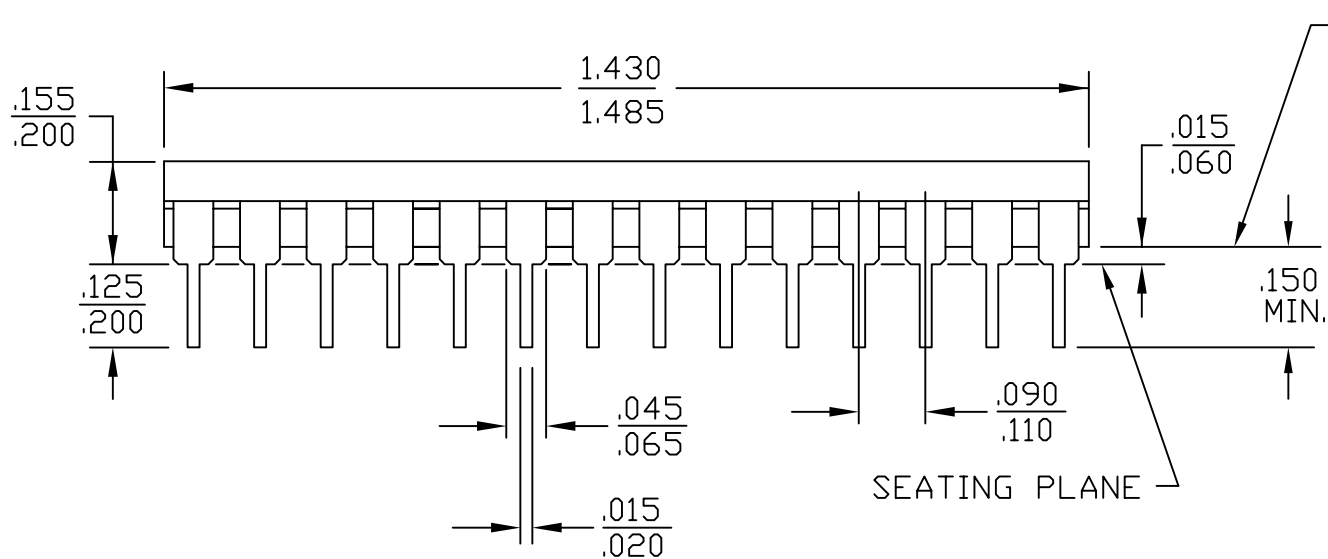
Continuity of ordering part numbers

Infineon continues to support existing part numbers. Please continue to use the ordering part numbers listed in the datasheet for ordering.

28 Lead (300 MIL) CerDIP D22



DIMENSIONS IN INCHES
MIN.
MAX.




TITLE PACKAGE OUTLINE, 28L CERDIP 1.485X.310X.140 INCHES D28.3

SPEC NO.	51-80032	REV	*C
SCALED TO FIT	N/A	SHEET 1 OF 2	

THIS DRAWING CONTAINS INFORMATION WHICH IS THE PROPRIETARY PROPERTY OF CYPRESS SEMICONDUCTOR CORPORATION. THIS DRAWING IS RECEIVED IN CONFIDENCE AND ITS CONTENTS MAY NOT BE DISCLOSED WITHOUT WRITTEN CONSENT OF CYPRESS SEMICONDUCTOR CORPORATION.

PACKAGE CODE(S) D283

REV.	ECN NO.	ORIGIN OF CHANGE	DESCRIPTION OF CHANGE
**	56956	—	NEW RELEASE
*A	2873269	—	CHANGED TEMPLATE, CHANGE TITLE FROM 28LD (300 MIL) CERDIP PACKAGE OUTLINE TO PACKAGE OUTLINE, 28L CERDIP 1.485X.310X.140 INCHES D28.3
*B	3278636	—	NO CHANGE. SUNSET REVIEW.
*C	4600008	XANC	FOR SUNSET REVIEW. UPDATE DRAWING TEMPLATE.

 CYPRESS Company Confidential	
TITLE PACKAGE OUTLINE, 28L CERDIP 1.485X.310X.140 INCHES D28.3	
SPEC NO. 51-80032	REV *C
SCALED TO FIT N/A	SHEET 2 OF 2

THIS DRAWING CONTAINS INFORMATION WHICH IS THE PROPRIETARY PROPERTY OF CYPRESS SEMICONDUCTOR CORPORATION. THIS DRAWING IS RECEIVED IN CONFIDENCE AND ITS CONTENTS MAY NOT BE DISCLOSED WITHOUT WRITTEN CONSENT OF CYPRESS SEMICONDUCTOR CORPORATION.

PACKAGE CODE(S)
D283